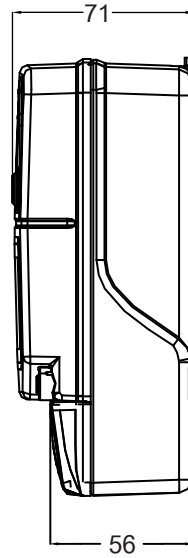
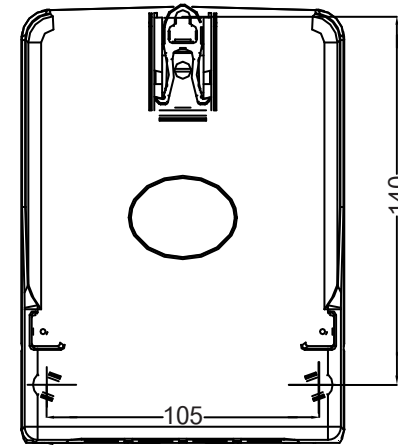



**FRONT VIEW**



**SIDE VIEW**



**BACK VIEW**

 <b>Genius Electronic Meter Co.,Ltd.</b>		<b>COPY TO</b>	<b>DRAWING NO.</b>	RD025151101	<b>REV.</b>	00
		RD	<b>GEM DOC. NO.</b>	D-RD-95	<b>REV.</b>	00
<b>DRAWING FILE</b> CASE-GEM-145AMR (PC)		QC	<b>MATERIAL SPECIFICATION</b> -	<b>PAGE</b>		1 OF 1
		<b>COLOR</b>		<b>EFF.DATE</b>		15/06/2011
<b>PART NO.</b>	CASE-GEM-145AMR (PC)	<b>SCALE</b>	1:1	<b>PREPARED BY</b>		
<b>DESCRIPTION</b>	CASE-GEM-145AMR (PC)	<b>UNITS</b>	mm.	<b>REVIEWED BY</b>		
		<b>TOLERANCE</b>	±0.25	<b>APPROVED BY</b>		
<b>FILE</b>	<a href="https://10.1.1.15/svn/GEM-145AMR_PC/trunk/Drawing/CASE-GEM-145AMR(PC).ai">https://10.1.1.15/svn/GEM-145AMR_PC/trunk/Drawing/CASE-GEM-145AMR(PC).ai</a>					