

LM2-PCP06X

ABS

MODULAR

CEILING LOUDSPEAKER

- Superior voice and music reproduction
- Stylish design
- Easy for installation
- Moisture and dust resistant
- IP 54 and IP 55 rated (LM2-PCP06C)
- Modular design for various applications
- CE and RoHS complied



PRODUCT DESCRIPTION

LM2-PCP06x is a series of 6W economic modular ceiling loudspeakers, including three models for selection: 5" ABS Modular Ceiling Loudspeaker LM2-PCP06A, 5" ABS Modular Ceiling Loudspeaker with ABS Dome LM2-PCP06B and 5" ABS Modular Moisture-proof Ceiling Loudspeaker LM2-PCP06C, adapting to different installation requirement. Its stylish design with pretty white cover makes it blend easily into all indoor decoration.

The series of loudspeaker features good moisture and dust resistant: the integrated panel protects the inside components from water splash and the ABS material prevents the enclosure from getting rusted.

Ip54 rated, LM2-PCP06C adopts particular moistureresistant components. When installed with ABS Modular Back Dome LM2-PM, LM2-PCP06C is IP55

rated with a better moisture-resistant ability, which is ideal for damp environment such as sauna rooms, washrooms and bathrooms.

In consistency with the look of the panel, the optional back dome LM2-PM not only better protects the speaker from dust and falling objects but also avoids voice spreading into adjacent area via the ceiling cavity.

The optional U-type bracket LM2-MHA, can be used with LM2-PCP06x series ceiling loudspeakers, LM2-PCP06B preferable, to achieve suspended mount in applications with false ceiling.

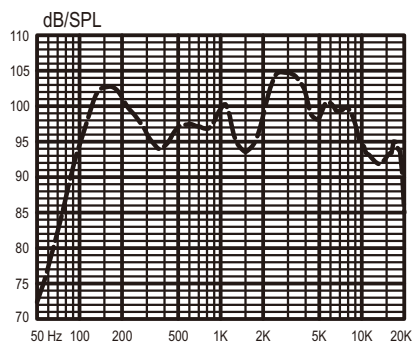
The panel and back dome adopt frame-protection ABS material, UL94V0 rated. All materials are CE and RoHS complied.

Technical Specifications

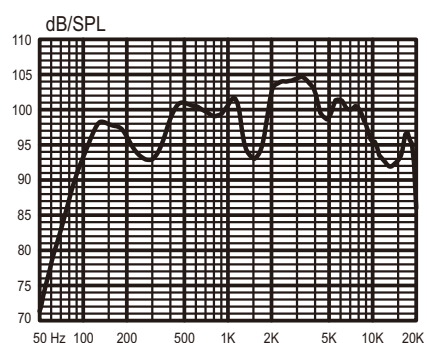
Model	LM2-PCP06A	LM2-PCP06A	LM2-PCP06C	LM2-PM	LM2-MHA
Max power	9 W				
Rated power	6 W				
Power taps @ 100 V	6 W / 3 W / 1.5 W				
Power taps @ 70 V	3 W / 1.5 W / 0.75 W				
SPL at 6 W / 1 W	100 dB / 92 dB (120 Hz-18 KHz, 1 m)	100 dB / 92 dB (120 Hz-18 KHz, 1m)	97 dB / 89 dB (150 Hz-18 KHz, 1m)		
Frequency range (-10 dB)	80 Hz - 20 KHz	80 Hz - 20 KHz	110 Hz - 20 KHz		
Dispersion angle (1kHz/4kHz, -6 dB)	184 / 90				
Rated input voltage	100 V / 70 V				
Rated impedance	1.7 K Ω / 3.3 K Ω / 6.7 K Ω				
Connection	4-pole screw plastic block				
Dimensions(Ø x H)	Ø180 x 73 mm	Ø180 x 105 mm	Ø180 x 73 mm	Ø139 x 100 mm	143x19x94 mm
Hole cut-out size	Ø160+5 mm				
Diameter of speaker	5"				
Material	ABS(UL94V0)			ABS(UL94V0)	Steel
Weight	0.64 kg	0.76 kg	0.64 kg	0.12 kg	0.063 kg
Color	White (RAL9003)			White (RAL9003)	White (RAL9003)
Certification	CE		CE / IP54 / IP55		

* LM2-PCP06C is IP 54 rated, and is IP 55 rated when tested with LM2-PM

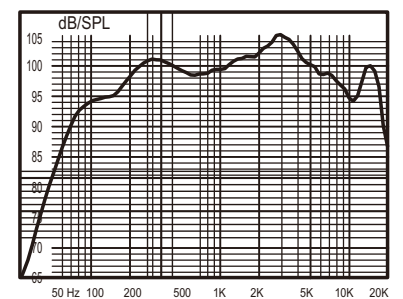
Frequency Response



LM2-PCP06A

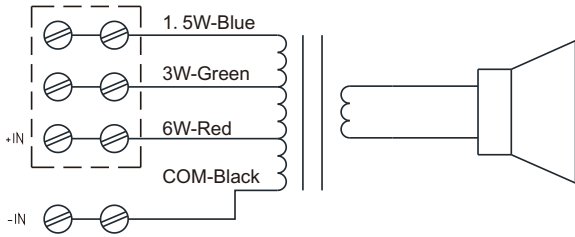


LM2-PCP06B

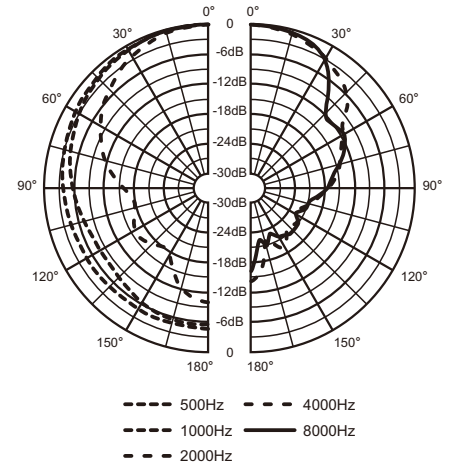


LM2-PCP06C

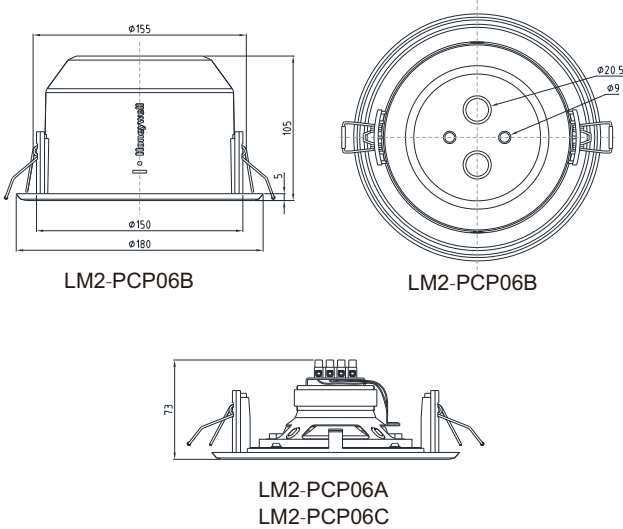
Circuit Diagram



Polar Diagram



Three-View Diagram



Ordering Information

Description	Ordering Information
LM2-PCP06A	5" ABS Modular Ceiling Loudspeaker
LM2-PCP06B	5" ABS Modular Ceiling Loudspeaker with ABS Dome
LM2-PCP06C	5" ABS Modular Moisture-proof Ceiling Loudspeaker
LM2-PM	ABS Modular Back Dome to protect LM2-PCP06A, LM2-PCP06C for in-ceiling mounting
LM2-PCP06C	U-type metal white bracket for suspended installation

For more information,

<https://honeywellbuildings.in>

Call: 1-800-103-0339

Email: HBT-Indiabuildings@honeywell.com

Honeywell HBT India Buildings

Unitech Trade Center, 5th Floor, Sector-43,
Block C, Sushant Lok Phase - I,
Gurgaon - 122 002

www.honeywell.com

© 2020 Honeywell International Inc.

LM2-PCP06X
ABS
MODULAR
CEILING LOUDSPEAKER

Honeywell