

L-PCP06C

6.5" ABS

MOISTURE - PROOF

CEILING

LOUDSPEAKER

- Clear and intelligible audio performance
- Stylish and unobtrusive design
- Simple power setting
- Flush-mounting system for fast and easy installation
- IP54 standard complied with great water-proof ability
- Environmentally friendly
- CE and RoHS complied



PRODUCT DESCRIPTION

L-PCP06C is a water-proof 6W ceiling loudspeaker. Its low-profile, white color design blends easily with most interiors in many locations. This full range loudspeaker features a high sound pressure level and a wide frequency response range with the integrative cone. The complex edge and damping affect guarantee a longer operation life.

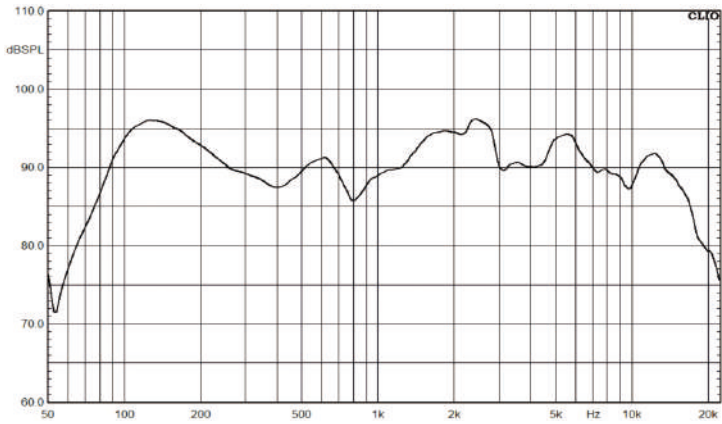
It has a 100V transformer on the back, making it easy to switch the rated power between 100V and 70V. L-PCP06C is IP54 standard complied. Its great water-proof ability make it the best choice for wet environment such as bathroom and swimming pool .

Technical Specification

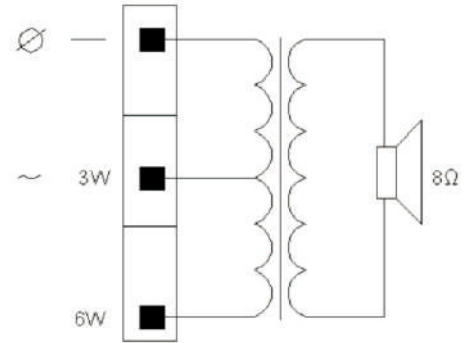
Max power	9 W
Rated power	6 W
Power taps @ 100V	6 W / 3 W / 1.5 W
SPL at 20W / 1W(150Hz-20k Hz, 1m)	99 dB / 93 dB
Frequency response (-10 dB)	80 Hz - 16 KHz
Dispersion angle 1k Hz / -6 dB)	150 °
Rated impedance	1.7 KΩ/ 3.3 KΩ/ 6.7 KΩ
Connector	Plastic terminal blocks

Rated input voltage	100V / 70V
Dimensions(Φ×H)	Φ 188 × 75 mm
Hole cut-out size	Φ 170 mm
Speaker size	6.5"
Weight	0.77 Kg
Color	White (RAL9010)
Operating temperature	-25 °C to + 55 °C
Storage temperature	-40 °C to + 70 °C
Relative humidity	< 95 %

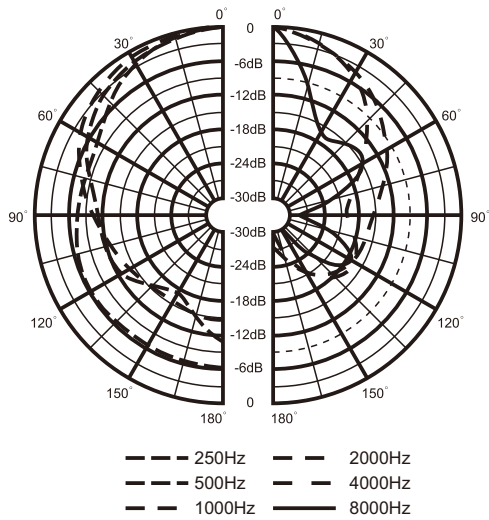
Frequency Response



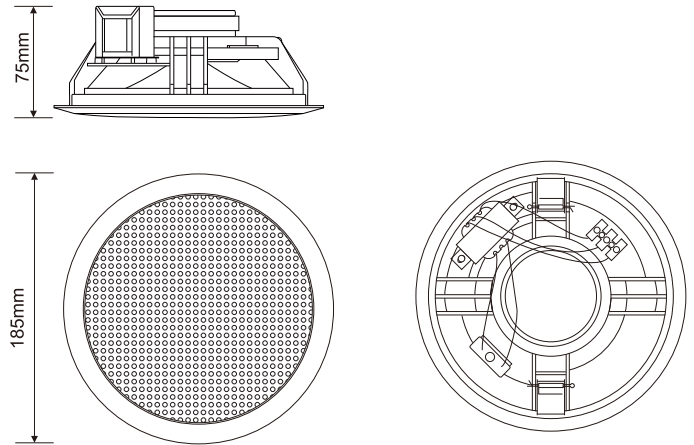
Circuit Diagram



Polar Diagram



Three-View Diagram



For more information,
<https://honeywellbuildings.in>
 Call: 1-800-103-0339
 Email: HBT-Indiabuildings@honeywell.com

Honeywell HBT India Buildings
 Unitech Trade Center, 5th Floor, Sector-43,
 Block C, Sushant Lok Phase - I,
 Gurgaon - 122 002

www.honeywell.com

© 2020 Honeywell International Inc.

L-PCP06C
6.5" ABS
MOISTURE-PROOF
CEILING LOUDSPEAKER

Honeywell