

# HN-PCP06A

## I Ceiling Loudspeaker

HN-PCP06A is high quality ceiling speaker model with stylish grille and frame. It is ultra compact ceiling speaker designed to fit in almost any location especially where space is limited. It is full range speaker for speech and music in indoor application such as department stores, schools, offices, etc.

### ABOUT THE PRODUCT

It is a matte finish speaker. The powder coated grille is well fixed in the basket.

### CERTIFICATIONS AND APPROVAL

CE Complied

### FEATURES AND BENEFIT



**FLUSH-MOUNTING SYSTEM FOR FAST AND EASY INSTALLATION**



**WIDE FREQUENCY RESPONSE FOR EXCELLENT SPEECH AND MUSIC REPRODUCTION**



**EXCELLENT CRASH AND RUST RESISTANT DESIGN**



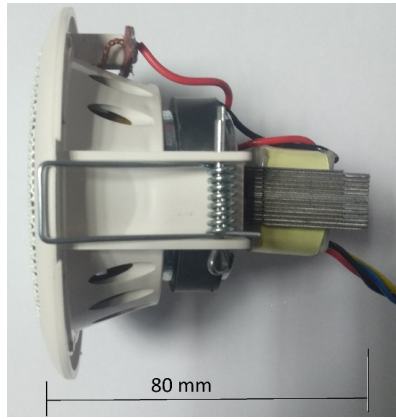
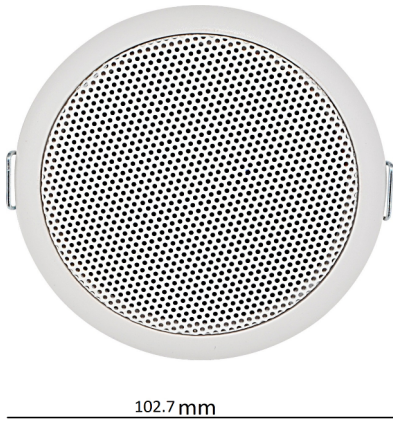
**ABS BASKET SPEAKER WITH METAL GRILLE**



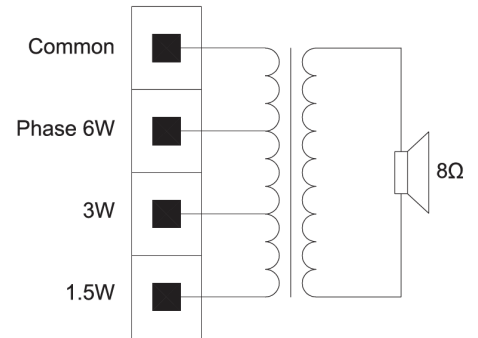
### INSTALLATION DETAILS/DIMENSIONS

HN-PCP06A has two spring clamps which can be used to easily fix the speaker into the false ceiling. It has three power taps (6/3/1.5W) with the built-in 100V transformer. The round metal grille is well fitted in the front.

## DIMENSIONS



### Circuit Diagram:



## TECHNICAL SPECIFICATIONS

SYSTEM PERFORMANCE	
Frequency Range (-10 dB)	70 Hz - 20 kHz
Nominal Dispersion	150 ° Conical
Rated Impedance	1.7 KΩ at 6 W
Long-Term Power Handling	6 W (9 W peak)
Sensitivity (SPL / 1 W @ 1 m)	84 dB SPL
Maximum SPL @ 1 m	89 dB SPL (dB SPL peak)
Rated Input Voltage	100V/70V
Transformer Taps (100 V)	6W / 3 W /1.5 W.
TRANSDUCERS	
Driver Compliment	3" (73 mm) full-range driver
PHYSIC	
Enclosure	ABS- Basket
Grille	Powder-coated metal grille
Environmental	Indoor use only
Connectors	Cable/Wire Connection.
Suspension / Mounting	Two integrated quick-install mounting clamps.
Dimensions	Outer diameter: (102.7 mm) Height: (80 mm) Ceiling hole diameter: (84 mm)
Ceiling Thickness (Maximum)	(25 mm)
Net Weight	(0.38 kg)
Colour	White ( RAL 9003)

### For more information,

[www.honeywellbuildings.in](http://www.honeywellbuildings.in)

Call: 000-8000-502167

Email: [HBT-IndiaBuildings@Honeywell.com](mailto:HBT-IndiaBuildings@Honeywell.com)

### Honeywell HBT India Buildings

Unitech Trade Center, 5th Floor, Sector-43,

Block C, Sushant Lok Phase - I,

Gurgaon - 122 002.

HN-PCP06A | 01 | 09/21  
© 2021 Honeywell International Inc.

**THE  
FUTURE  
IS  
WHAT  
WE  
MAKE IT**

**Honeywell**