

L-VCM6B/EN

5" METAL CEILING LOUDSPEAKER WITH METAL DOME

- Excellent sound reproduction
- Fire resistant cover with fire dome
- EN54-24 certified
- Available with or without capacitor(part number without "C")



PRODUCT DESCRIPTION

The L-VCM6B/EN (C) is a voice alarm loudspeaker designed for flush in ceiling mount. It is ideal for even sound distribution. The loudspeaker has a built-in protector to ensure that, in the event of fire, damage to the loudspeaker does not result in failure of the loudspeaker circuit which is connected. In this way, system integrity is maintained and ensuring loudspeakers connected

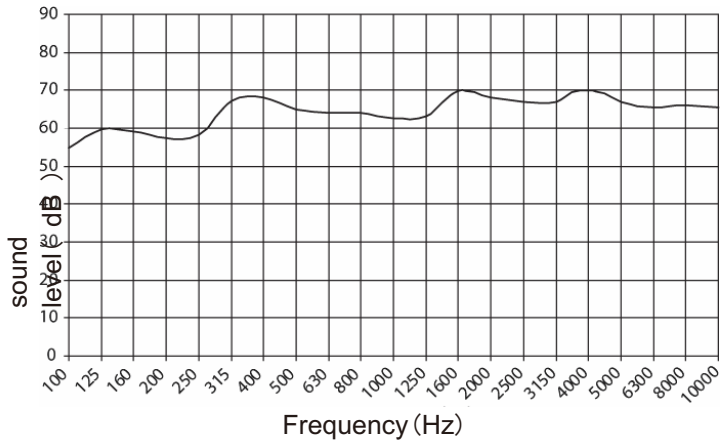
in the same circuit in other areas can still be used to inform people of the situation. The loudspeaker and the fire dome can be easily installed using the mounting spring, sliding brackets and the wing nuts. L-VCM6B/EN(C) is equipped with heat resistant ceramic terminal blocks and a thermal fuse complying with EN54 part 24.

Technical Specification

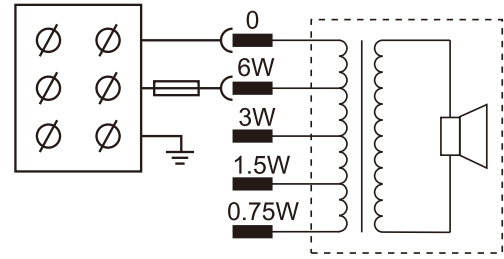
Max power	9W
Rated power	6W
Power taps @100V	6W / 3W / 1.5W / 0.75W
Power taps @ 70V	3W / 1.5W / 0.75W / 0.375W
SPL at 6W/1W (100 Hz-10 KHz,1m)	100dB / 91dB
SPL at 6W/1W (100 Hz-10 KHz,4m)	88dB / 79dB
Frequency range (-10dB)	180 Hz - 20 KHz
Dispersion Angle (1KHz/- 6dB)	175°
Rated impedance	1.7kΩ / 3.3kΩ / 6.7kΩ / 13kΩ

Rated input voltage	100V / 70V
Connection	Ceramic Terminal
Dimensions	Φ 181 mm x 129 mm
Hole cut-out size	Φ 155 mm
Diameter of speaker	5"
Weight	1.29 kg
Front grill color	White (RAL9003)
Dome color	Red (RAL3000)
Thermal Fuse	150°C
DC Blocking capacitor	Yes (2.2uF) L-VCM6B/EN(C) No L-VCM6B/EN

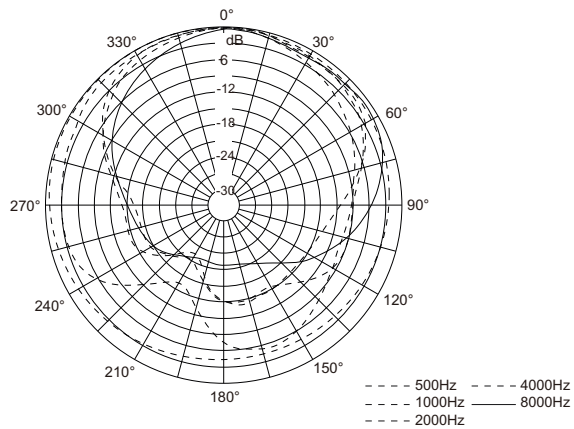
Frequency Response



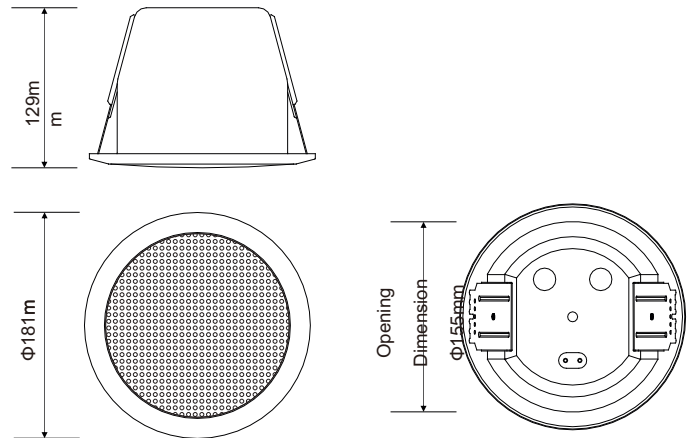
Circuit Diagram



Polar Diagram



Three-View Diagram



For more information,
<https://honeywellbuildings.in>
 Call: 1-800-103-0339
 Email: HBT-Indiabuildings@honeywell.com

Honeywell HBT India Buildings
 Unitech Trade Center, 5th Floor, Sector-43,
 Block C, Sushant Lok Phase - I,
 Gurgaon - 122 002

www.honeywell.com

© 2020 Honeywell International Inc.

L-VCM6B
5" METAL
CEILING LOUDSPEAKER
WITH METAL DOME

Honeywell