

# L-PWP60A

## ABS

### FULL RANGE

### CABINET

- Water-proof cone
- Powerful and lucid audio performance
- Suitable in humid condition
- Stylish design
- Simple power setting
- High strength and fire resistant ABS enclosure
- Easy installation and cost effective
- CE and RoHS complied



## PRODUCT DESCRIPTION

L-PWP60A is a versatile, 60W cabinet loudspeaker intended for use in general indoor applications. The loudspeaker is ideal for use in theme bars, music restaurants, groceries, video shops, meeting rooms, office buildings, exhibition halls, gyms, and presentation rooms. Equipped with high linearity anti-fatigue rubber, the bass audio performance is free from distortion due to prolonged low-frequency operation. Treble circuit unit adopts dome Cortina design,

extending the treble range of frequency response and increasing the high quality acoustic performance. The traditional screw type terminal makes it easier for connection. A 5-step volume can be controlled by knob console on the back box. The adjustable installation brackets flexibly position the loudspeakers that meet the needs of different indoors sound field characteristics. The loudspeaker is CE and RoHS complied.

### Technical Specification

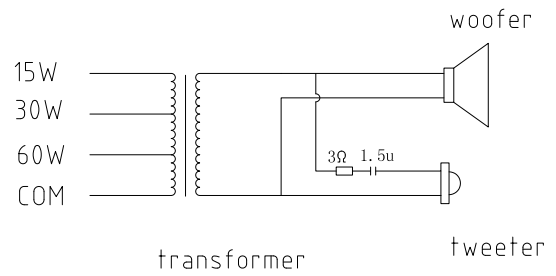
Max power	80 W
Rated power	60 W
Power taps @ 100V	60 W / 30 W / 15 W
Power taps @ 70V	30 W / 15 W / 7.5 W
SPL at 60W / 1W (1kHz, 1m)	110 dB / 92 dB
Frequency range (-10dB)	80 Hz - 20kHz
Dispersion angle (1KHz / -6dB)	135 °
Rated impedance	167 Ω / 333 Ω / 667 Ω

Rated input voltage	100 V / 70 V / 8 Ω
Connector	Binding post terminals
Dimensions (W×H×D)	193 × 344 × 202 mm
Diameter of speaker	6.5" woofer, 1" tweeter
Weight	3.8 kg
Color	White (RAL9003)

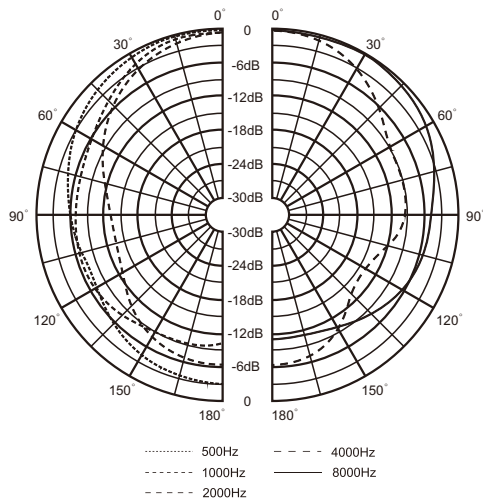
## Frequency Response



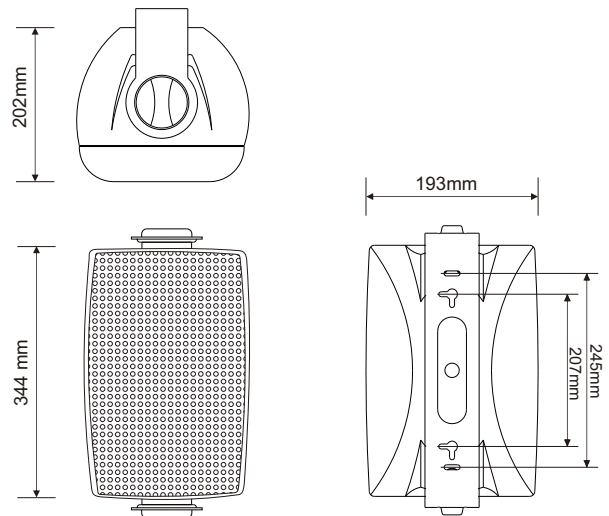
## Circuit Diagram



## Polar Diagram



## Three-View Diagram



For more information,  
<https://honeywellbuildings.in>  
 Call: 1-800-103-0339  
 Email: HBT-Indiabuildings@honeywell.com

**Honeywell HBT India Buildings**  
 Unitech Trade Center, 5th Floor, Sector-43,  
 Block C, Sushant Lok Phase - I,  
 Gurgaon - 122 002