

# L-VHP15A/EN HORN LOUDSPEAKER

- Intelligible voice and superior sound reproduction
- Low-profile design blends easily into any outdoor applications
- Ergonomic and stylish design
- High-strength UV protective UL94V0 ABS housing
- EN54-24 certified
- IP 66 Complied



## PRODUCT DESCRIPTION

L-VHP15A/EN is a high-performance 15W voice alarm horn loudspeaker. It provides a broad frequency response range, low distortion and high sound pressure level for L-VHP15A/EN is a high-performance 15W voice alarm horn loudspeaker. It provides a broad frequency response range, low distortion and high sound pressure level for accurate and intelligible broadcast of evacuation messages and high quality sound reproduction.

It can be used in outdoor, dry or wet applications, providing reliable operations over wide temperature and humidity ranges. Its low-profile, light grey color design blends easily with most interiors into locations such as train station, harbors, factories, campuses and stadiums. This horn loudspeaker complies with BS58 59 part 8 and EN54 part 24.

### Technical Specification

|                                 |                       |
|---------------------------------|-----------------------|
| Max power                       | 25 W                  |
| Rated power                     | 15W                   |
| Power tapping                   | 15W/10W/5W/8Ω         |
| SPL at 15W/1W(100 Hz-10 kHz,1m) | 117dB / 105dB         |
| SPL at 15W/1W(100 Hz-10 kHz,4m) | 105dB / 93dB          |
| Frequency response ( -10 dB )   | 300 Hz - 16k Hz       |
| Rated input voltage             | 100 V / 70 V          |
| Rated impedance                 | 667 Ω/ 1000 Ω/ 2000 Ω |
| Connection                      | Fire-resistant cable  |
| Dimensions                      | Φ 213 mm × 265 mm     |
| Weight                          | 2.05kg                |
| Color                           | Grey(RAL7035)         |
| Speaker size                    | Compressed driver     |
| Operating temperature           | -25°C to +55°C        |
| Storage temperature             | -40°C to +70°C        |
| Relative humidity               | up to 95%             |

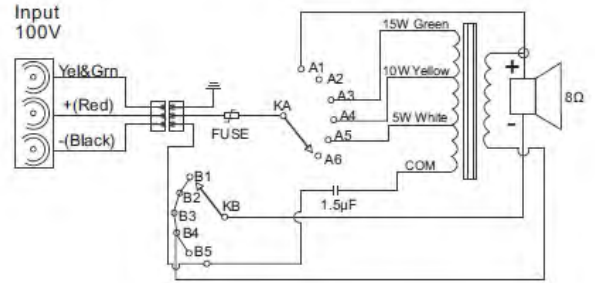
## Frequency Response



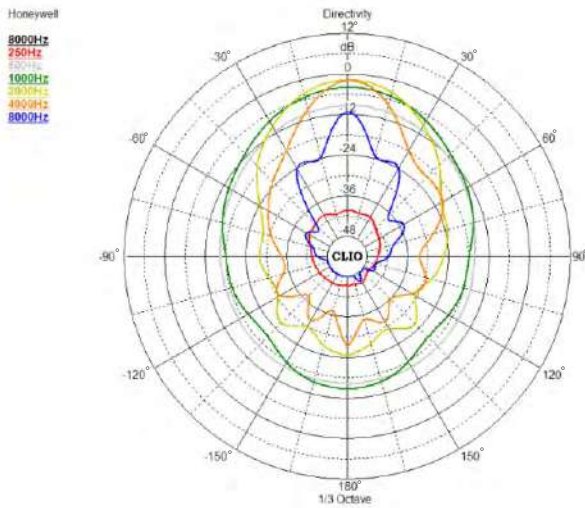
Frequency Response at 100 volt/4m/1w, 1/3 oct smoothing

Frequency (Hz)

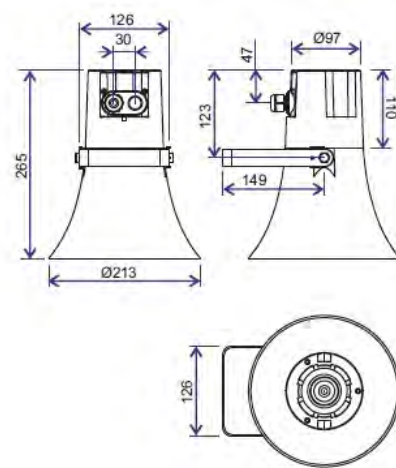
## Circuit Diagram



## Polar Diagram



## Three-View Diagram



For more information,  
<https://honeywellbuildings.in>  
 Call: 1-800-103-0339  
 Email: HBT-Indiabuildings@honeywell.com

**Honeywell HBT India Buildings**  
 Unitech Trade Center, 5th Floor, Sector-43,  
 Block C, Sushant Lok Phase - I,  
 Gurgaon - 122 002

[www.honeywell.com](http://www.honeywell.com)

© 2020 Honeywell International Inc.

**L-VHP15A**  
**HORN**  
**LOUDSPEAKER**

**Honeywell**