

# L-PJP20A

# ABS UNIDIRECTIONAL PROJECTION LOUDSPEAKER

- Multi-Purpose cone speaker that ensures powerful and intelligible audio performance
- Stylish and unobtrusive design
- High impact and fire resistant ABS enclosure
- Completely water resistant
- Easy installation and cost effective
- CE and RoHS complied



## PRODUCT DESCRIPTION

L-PJP20A is 20W unidirectional loudspeaker, which has a sturdy aluminum enclosure finished in unobtrusive white color. The innovative design together with the strong front ABS provide a strong anti rust and aesthetic appealing. Structure Multi-purpose cone enables the loudspeaker to deliver high quality sounds and excellent musical reproduction. It is suitable for a wide scope of outdoor applications. Equipped with high linearity

anti-fatigue rubber, the bass audio performance is free from distortion due to prolonged lowfrequency operation. The projection design is intended for use in public address applications such as corridors, shopping aisles etc. The sound projector has provision inside for mounting an optional line/loudspeaker supervision board. The loudspeaker is CE and RoHS complied.

### Technical Specification

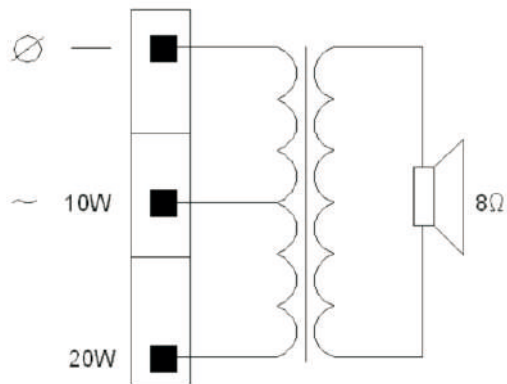
Max power	30 W
Rated power	20 W
Power taps @ 100V	20 W / 10 W
Power taps @ 70V	10 W / 5 W
SPL at 6 W / 1 W( 200Hz-15kHz z, 1m)	111 dB / 91 dB
Frequency response (-10dB)	150 Hz - 15k Hz
Dispersion angle (1k Hz / -6 dB)	120 °

Rated input voltage	100 V / 70 V
Rated impedance	500 Ω / 1 KΩ
Connector	Cable
Dimensions (D x L)	Φ 1 80mm x 230 mm
Weight	2.1 kg
Color	White ( RAL9003 )
Material	ABS

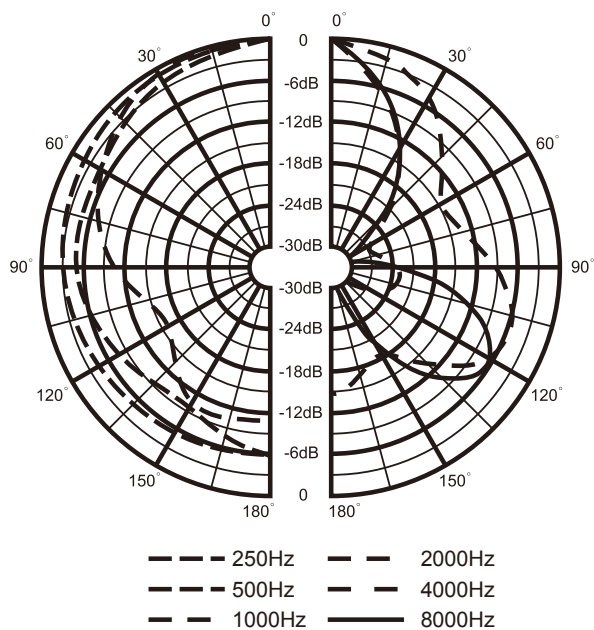
### Frequency Response



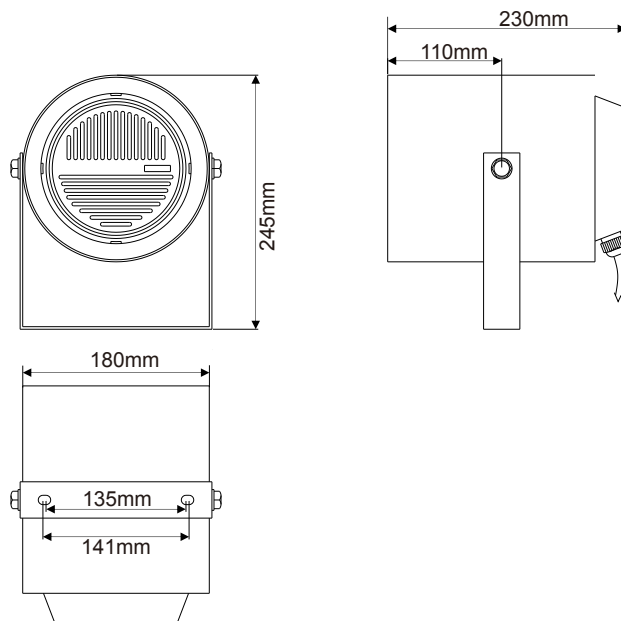
### Circuit Diagram



### Polar Diagram



### Three-View Diagram



For more information,  
<https://honeywellbuildings.in>  
 Call: 1-800-103-0339  
 Email: HBT-Indiabuildings@honeywell.com

**Honeywell HBT India Buildings**  
 Unitech Trade Center, 5th Floor, Sector-43,  
 Block C, Sushant Lok Phase - I,  
 Gurgaon - 122 002

[www.honeywell.com](http://www.honeywell.com)

© 2020 Honeywell International Inc.

**L-PJP20A**  
**ABS UNIDIRECTIONAL**  
**PROJECTIONAL LOUDSPEAKER**

**Honeywell**