

L-PBM20A

ALUMINUM

BIDIRECTIONAL

PROJECTION

LOUDSPEAKER

- Intelligible voice and superior sound reproduction
- Ceiling or wall mount installation
- Meets virtually any indoor and outdoor requirement
- IP65 standard complied
- International safety laws complied



PRODUCT DESCRIPTION

L-PBM20A is a high-performance 20 W public address bidirectional projection loudspeaker. It provides a broad frequency response range, low distortion and high sound pressure level for accurate and intelligible broadcast of evacuation messages and high quality sound reproduction. It can be used in indoor, outdoor, dry, or wet applications, providing reliable operations over wide temperature and humidity ranges. Bidirectional projection loudspeaker is the best choice for applications such as tunnel, gallery and shopping arcade. In case of a fire emergency, its aluminum enclosure and high-temperature ceramic wiring

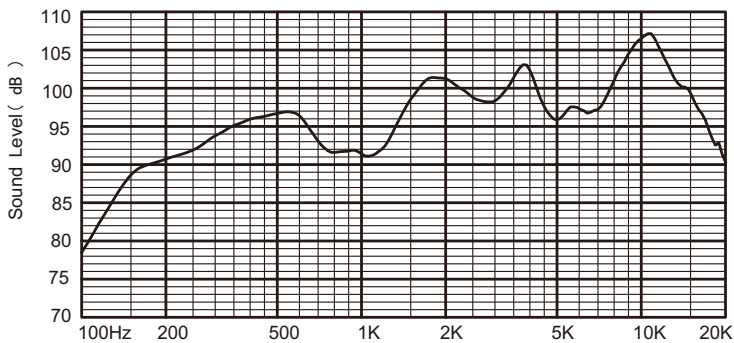
connector protect the speaker's internal components from the increased heat often present in fire conditions, extending its ability to remain operational and broadcast important information during a fire emergency. In addition, the loudspeaker's front cover and bracket are also made of aluminum, making them durable and corrosion proof. The loudspeaker is also supplied with a temperature fuse that protects it from overheating due to improper loading.

Technical Specifications

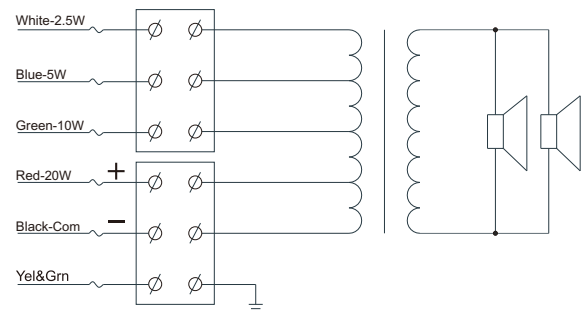
Max power	30 W
Rated power	(20 W 10 W × 2)
Power taps @ 100V	20 W / 10 W / 5 W / 2.5 W
SPL at 20 W / 1 W (200Hz-15kHz, 1m)	107 dB / 95 dB
Frequency response(-10dB)	150 Hz -20 KHz
Dispersion angle (1k Hz / -6 dB)	180°
Rated input voltage	100 V / 70 V
Rated impedance	500 Ω / 1 KΩ / 2 KΩ / 4 KΩ
Connector	Fire-resistant cable

Dimensions	Φ 140mm x 195 mm
Weight	3.23 Kg
Color	White (RAL9003)
Speaker size	5.25" × 2
Operating temperature	-25 °C to +55 °C
Storage temperature	-40 °C to +70 °C
Relative humidity	< 95 %

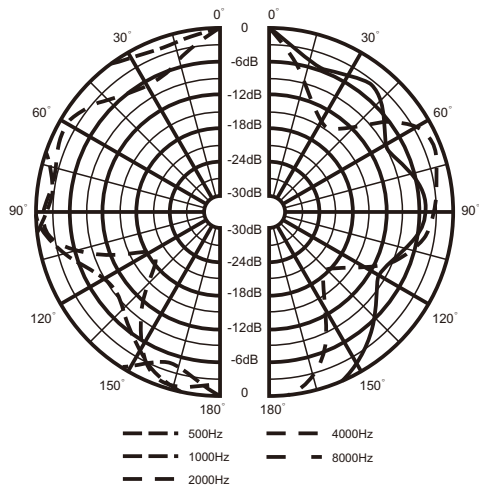
Frequency Response



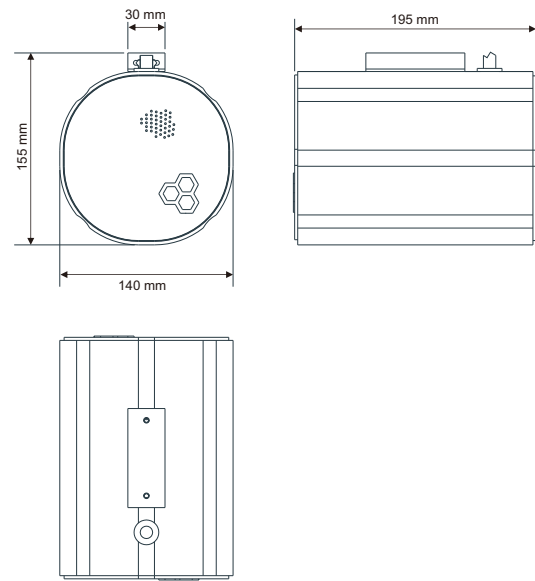
Circuit Diagram



Polar Diagram



Three-View Diagram



For more information,
<https://honeywellbuildings.in>
Call: 1-800-103-0339
Email: HBT-Indiabuildings@honeywell.com

Honeywell HBT India Buildings
Unitech Trade Center, 5th Floor, Sector-43,
Block C, Sushant Lok Phase - I,
Gurgaon - 122 002

www.honeywell.com

© 2020 Honeywell International Inc.

L-PBM20A
ALUMINUM BIDIRECTIONAL
PROJECTION LOUDSPEAKER

Honeywell