

L-VOM40A

ALUMINUM OUTDOOR COLUMN LOUDSPEAKER

- Intelligible voice and superior sound reproduction
- Robust aluminum housing
- Supplied with universal swivel bracket for easy angle adjustment
- Able to be switched between 100V and 70V
- Adapts to extreme environment
- EN54-24 certified
- Complies with IP66 standard
- Available with or without capacitor(part number without "C")



PRODUCT DESCRIPTION

L-VOM40A/EN is a high-performance 40W voice alarm column loudspeaker for outdoor use. It provides a broad frequency response range, low distortion and high sound pressure level for accurate and intelligible broadcast of evacuation messages and high quality sound reproduction. Its low-profile, white color design

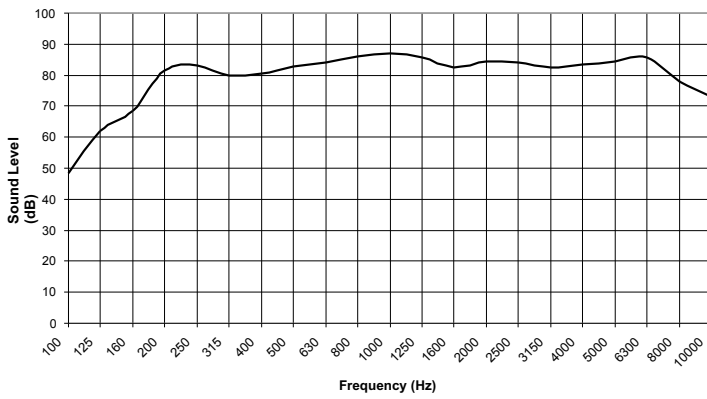
blends easily with most interiors in locations such as hotels, conference rooms, cinemas, theme parks, factories and exhibitions. This voice alarm outdoor column loud speaker complies with BS 5859 part 8 and EN54 part 24.

Technical Specification

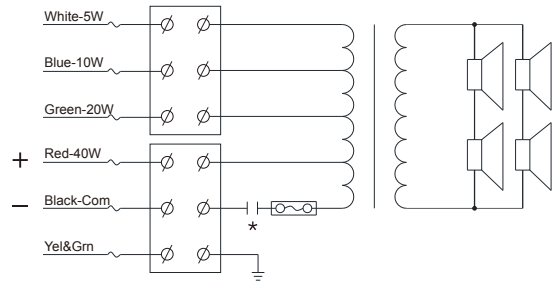
Max power	60 W
Rated power	40 W(10W x 4)
Power tapping	40 W / 20 W / 10 W / 5 W
SPL at 40W/1W (100Hz-10KHz, 1m)	108 dB / 94 dB
SPL at 40W/1W (100Hz-10KHz, 4m)	96 dB / 82 dB
Frequency response(-10dB)	300 Hz ~ 15 KHz
Rated input voltage	100 V / 70 V
Rated impedance	250 Ω / 500 Ω / 1K Ω / 2K Ω
Connector	Fire-resistant cable

Dimensions (W×H×D)	165 mm x 150 mm x 568 mm
Weight	5.75 Kg
Color	White (RAL9003)
Speaker size	4" x 4"
Material	Aluminum
DC Blocking Capacitor	Yes (2.2uF) L-VOM40A/EN(C)
	No L-VOM40A/EN

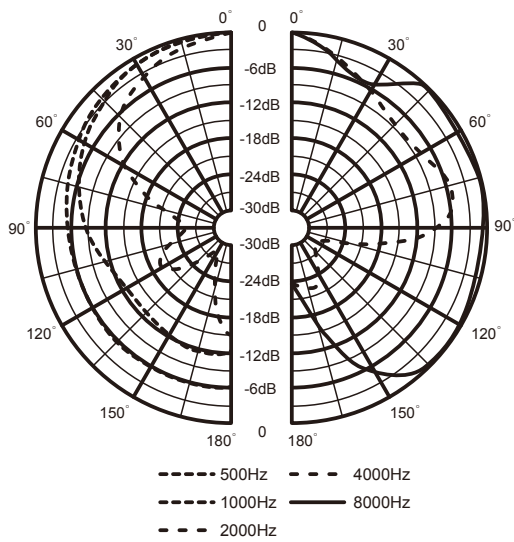
Frequency Response



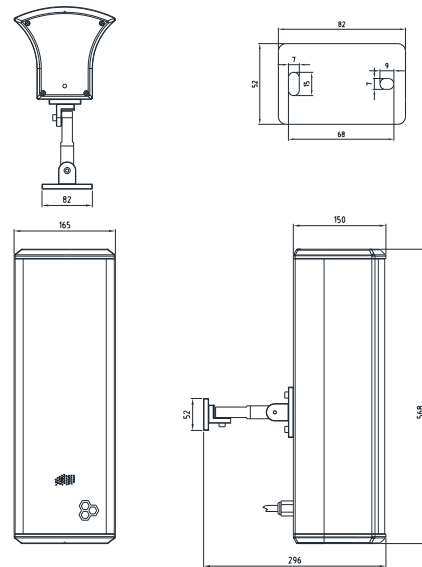
Circuit Diagram



Polar Diagram



Three-View Diagram



For more information,
<https://honeywellbuildings.in>
 Call: 1-800-103-0339
 Email: HBT-Indiabuildings@honeywell.com

Honeywell HBT India Buildings
 Unitech Trade Center, 5th Floor, Sector-43,
 Block C, Sushant Lok Phase - I,
 Gurgaon - 122 002

www.honeywell.com

© 2020 Honeywell International Inc.

L-VOM40A
ALUMINUM OUTDOOR
COLUMN LOUDSPEAKER

Honeywell