

L-VOM20A

ALUMINUM OUTDOOR COLUMN LOUDSPEAKER

- Intelligible voice and superior sound reproduction
- Robust aluminum housing
- Supplied with universal swivel bracket for easy angle adjustment
- Able to be switched between 100V and 70V
- Adapts to extreme environment
- EN54-24 certified
- Complies with IP66 standard
- Available with or without capacitor(part number without "C")



PRODUCT DESCRIPTION

L-VOM20A/EN is a high-performance 20W voice alarm column loudspeaker for outdoor use. It provides a broad frequency response range, low distortion and high sound pressure level for accurate and intelligible broadcast of evacuation messages and high quality sound reproduction.

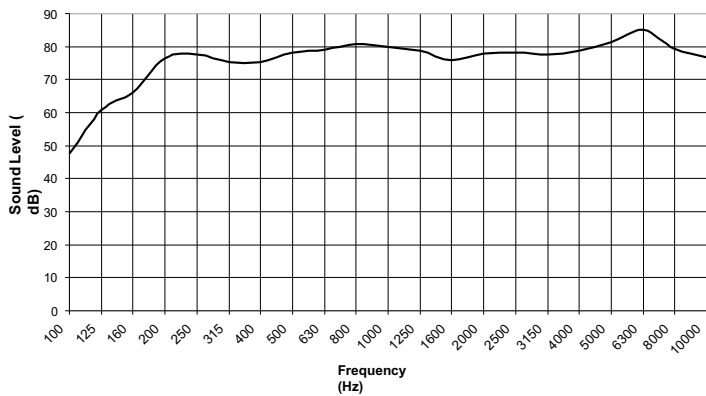
Its low-profile, white color design blends easily with most interiors in locations such as hotels, conference rooms, cinemas, theme parks, factories and exhibitions. This voice alarm outdoor column loudspeaker complies with BS 5859 part8 and EN54 part 24.

Technical Specification

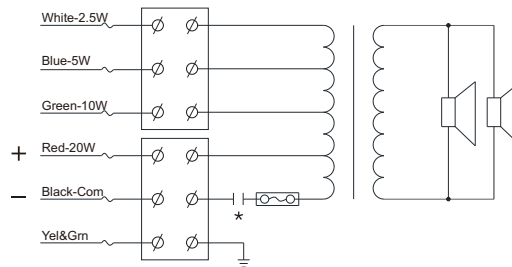
Max power	30 W
Rated power	20 W (10W x 2)
Power taps @ 100V	20 W / 10 W / 5 W / 2.5 W
SPL at 20 W / 1 W (100Hz-10KH z,1m)	103 dB / 91 dB
SPL at 20 W / 1 W (100Hz-10KH z,4m)	91 dB / 79 dB
Frequency response(-10dB)	300 Hz ~ 15 KHz
Rated impedance	500 Ω / 1 KΩ / 2 KΩ / 4 KΩ
Connector	Fire-resistant cable
Rated input voltage	100 V / 70 V

Rated input voltage	100 V / 70 V
Dimensions (W×H×D)	165 mm x 150 mm x 344 mm
Weight	3.75 Kg
Color	White (RAL9003)
Speaker size	4" x 2
Material	Aluminum
DC Blocking Capacitor	Yes (2.2uF) L-VOM20A/EN(C)
	No L-VOM20A/EN

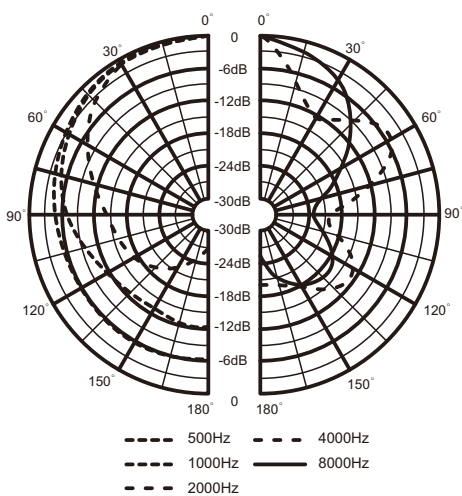
Frequency Response



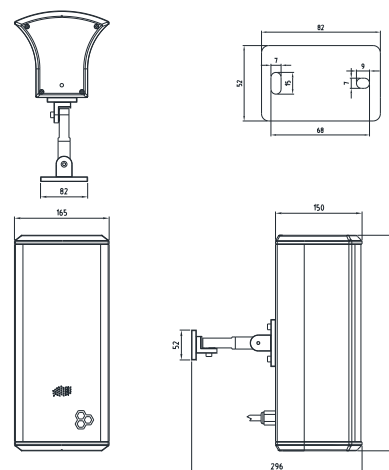
Circuit Diagram



Polar Diagram



Three-View Diagram



For more information,
<https://honeywellbuildings.in>
 Call: 1-800-103-0339
 Email: HBT-Indiabuildings@honeywell.com

Honeywell HBT India Buildings
 Unitech Trade Center, 5th Floor, Sector-43,
 Block C, Sushant Lok Phase - I,
 Gurgaon - 122 002